

CONTINENTAL LINE NO. 68 DRAPERY SWIVEL



PRODUCT INFORMATION

Innovation | Dedication | Reliability | Safety



No. 68 Drapery Swivel

(Shown With Index Plate)

Catalog No.: DS6800-10

5 lbs. 2 oz.

To be used with Continental No. 68 track. Two 1" pipe clamps supplied (pipe clamps for track). Brackets formed of 11 gauge steel. Includes a spring loaded index plate for rotation in 15 degree increments. Capacity 75 pounds. Two 1" pipe clamps supplied. (Pipe clamps for 1 1/4" & 1 1/2" pipe also available.)

Color: Black

Locking Pin Feature: Catalog No.: DS6800-1A*

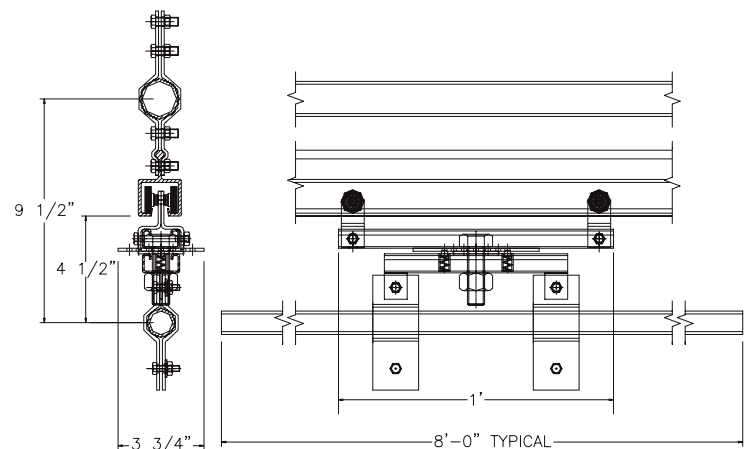
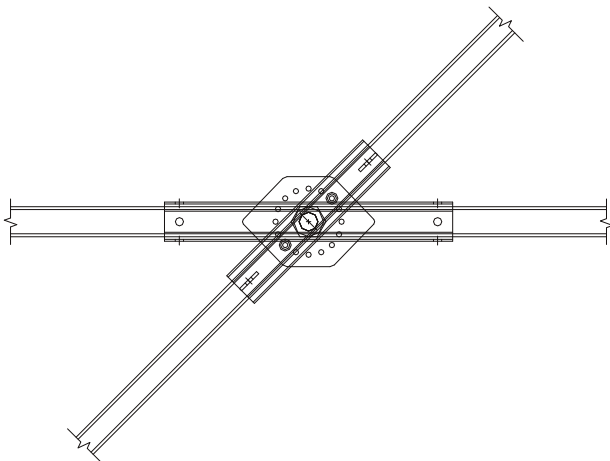
Brake: Catalog No.: DS6800-1B*

w/Out Index Plate: Catalog No.: DS6800-1C

*Includes Index Plate

FEATURES

- **Two C-clamps** are supplied that fit to each end of the drapery pipe for attaching towlines.
- **Pipe Clamps** furnished with each Drapery Swivel to accommodate 1" pipe. 1 1/4" and 1 1/2" pipe clamps also available by request when order placed.
- **Drapery Pipe** is available in either 1", 1 1/4" or 1 1/2" O.D. All pipe is schedule 40. Maximum suggested length of pipe is 8' 0". Must be ordered separately.
- **Dimensions of Drapery Swivel** Standard Units: 12" long x 3 3/4" wide x 10 1/2" high
- Drapery Swivel pivotal fixtures are used for changing the position of curtains on tormentors, side legs and back-drops. This is easily accomplished by turning the curtain itself or by fastening a towline to the curtain pipe and pulling the towline until the curtain is in the desired position.
- The pivot arm is unique because no tool is required to secure the curtain to its proper position. The Drapery Swivel is simply installed and easily manipulated to any 15 degree increment desired including a full 360 degree turn.
- Drapery swivels are compatible with other tracks.



SPECIFICATIONS

Drapery swivel bodies shall be of 11 gauge steel. Single carriers shall be of two wheel construction. Carrier bodies shall be of steel construction. Carrier wheels shall operate on individual ball-bearing assemblies for each wheel, and have nylon treads. The diameter of the carrier wheels shall be not less than 1". Index plate and spring-loaded roller latch assembly shall secure the drapery portion of the device at 15 degree intervals to help prevent accidental rotation. Two pipe clamps supplied with each Drapery Swivel to accommodate 1" pipe. C-clamps shall be made of 11 gauge steel, drilled and tapped for a 5/16" bolt to allow attachment to drapery pipe. No. 68 drapery swivel, Catalog No. DS6800-10 as fabricated by Athletic & Performance Rigging, Tiffin, Ohio.